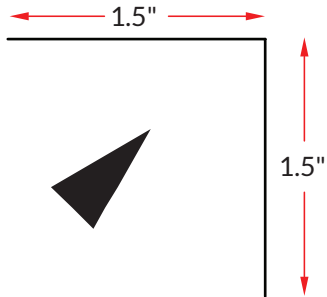


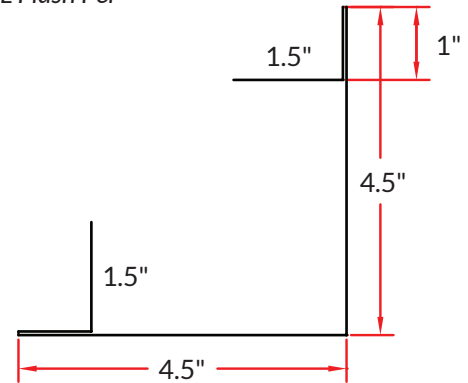
**1-1/2" L FLASH (OSC, ISC, HCHAN) T150OSCL**



**3"**

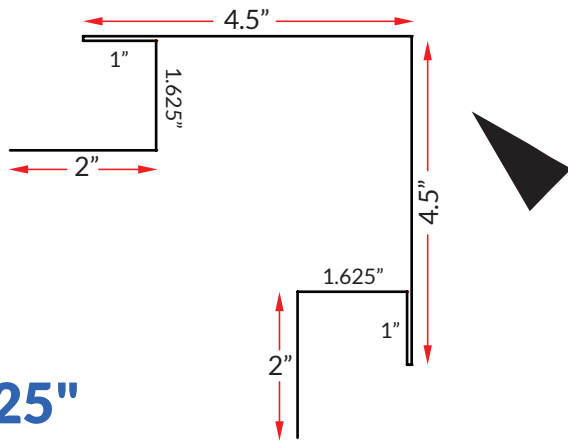
**1-1/2" 3PC OSC CAP 4 1/2 x 4 1/2 T150OSCC01**

*Requires 2pc L Flash Per*



**14"**

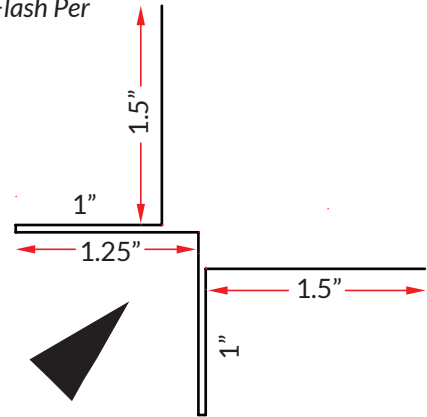
**1-1/2" OSC 4 1/2 x 4 1/2 T150OSC01**



**18.25"**

**1-1/2" 3PC ISC CAP T150ISCC01**

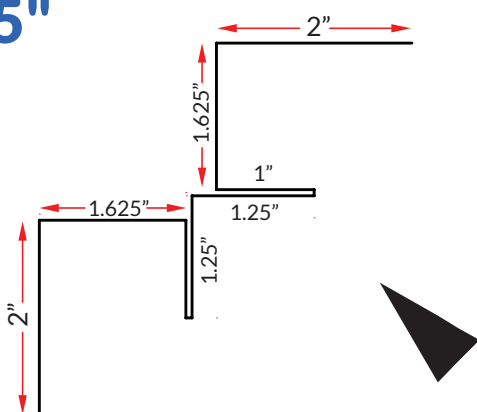
*Requires 2pc L Flash Per*



**7.5"**

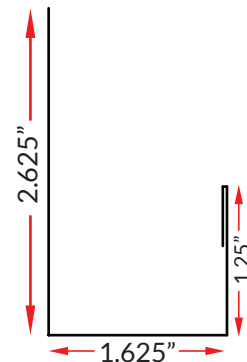
**1-1/2" ISC T150ISC01**

**11.75"**



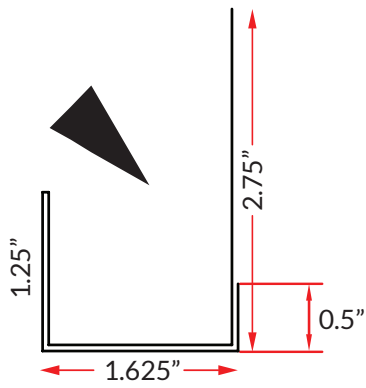
**1-1/2" J CHANNEL 1 T150J01**

**6"**



**1-1/2" J CHANNEL 2**

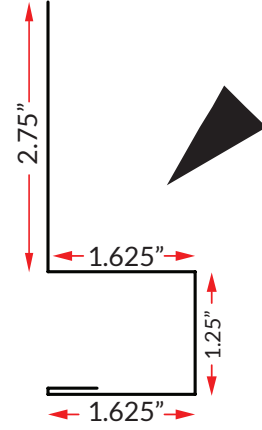
**T150J02**



**9"**

**1-1/2" BOX BASE**

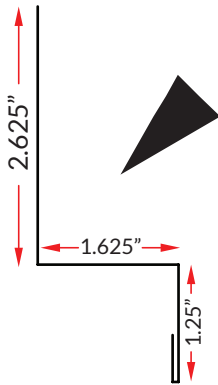
**T150BB01**



**7.75"**

**1-1/2" GABLE DIVIDER**

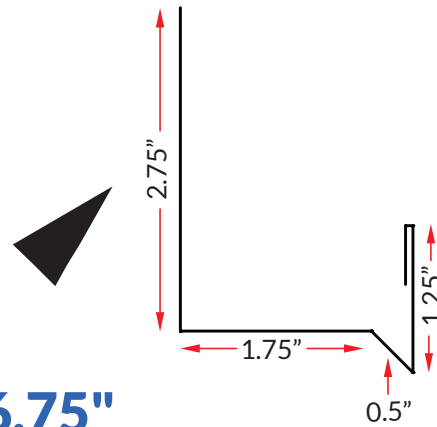
**T150GD01**



**6"**

**1-1/2" HEADER J 1**

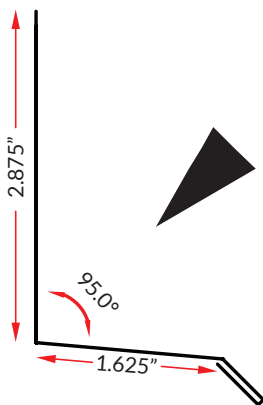
**T150H01**



**6.75"**

**1-1/2" DRIP 1**

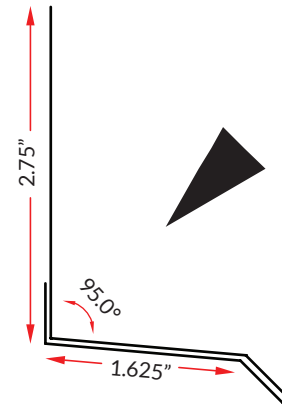
**T150D01**



**5-1/2"**

**1-1/2" DRIP 2**

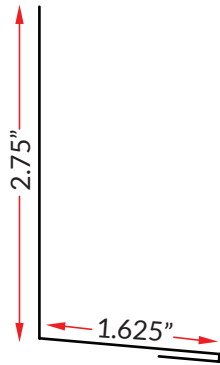
**T150D02**



**7-1/2"**

**1-1/2" CONCRETE BASE**

T150CB01

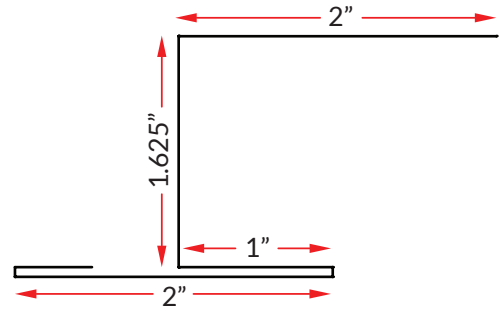


**4.875"**

**1-1/2" H CHANNEL**

T150H01

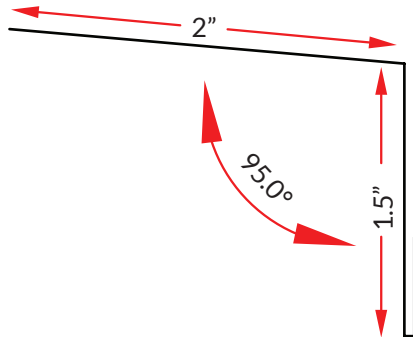
*Requires 1pc L Flash Per*



**7.125"**

**1-1/2" 2PC J CHANNEL (1 OF 2)**

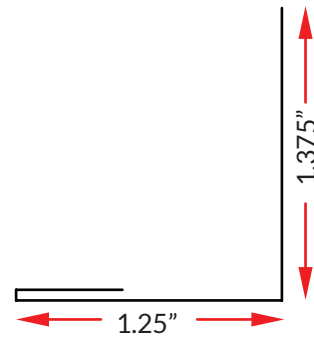
T150JA01



**4"**

**1-1/2" 2PC J CHANNEL (2 OF 2)**

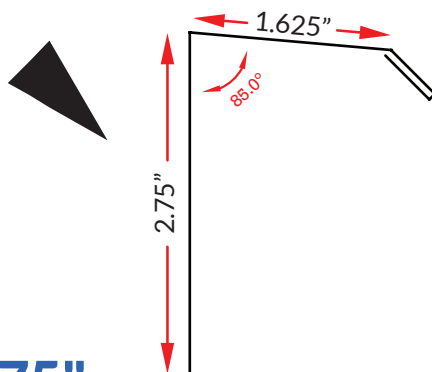
T150JB01



**3.125"**

**1-1/2" REVERSE DRIP**

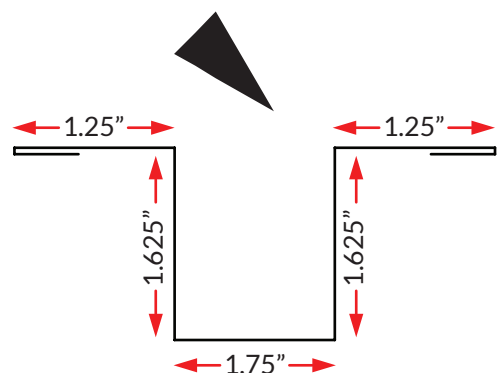
T150RD01



**5.375"**

**1-1/2" VERTICAL DIVIDER**

T150VD01



**8.5"**

1-1/2" STARTER STRIP

T150S01

2.5"



1-1/2" SPACER

T150SPCR

4.5"

