

Forma Plank Installation

Forma Plank Features and Properties

The Forma Plank Panel is available in both 6-1/4" coverage and 8-1/2" coverage with a 1" panel reveal. Forma Plank is available in all of our standard 24 Gauge colours including our Woodgrain Series, Textured Steel Series and our PVDF Colour Series. A full set of custom trims are available for Forma Plank to every installation.

Installing Forma Plank:

Forma Plank is designed for wall applications with a concealed floating clip system to allow for thermal expansion and contraction. Forma Plank can be installed both horizontally and vertically, in varying widths, and is easily integrated with standard cladding profiles.

Forma Plank Trims: Refer to our 7/8" Trim Collection for all trim profiles associated with Forma Plank

Forma Plank Accessories: Forma Plank is installed using clips:



FLOATING CLIP



Installation Drawings: Basic installation drawings are attached to this document. Specific details and further information may be required as per site requirements.

Obstacle Removal

Remove downspouts to create a clear workspace for installing the siding. Trees, shrubs and any other objects that could get in the way should also be safely removed. Remove windowsill extensions where necessary.

Wall Preparation

Ensure that the surface is even. You may have to shim out low places in the plane of the wall. The working surface should be secured with fasteners, and clear of debris such as old paint, putty or caulking buildup. Make sure the house wrap or water barrier is installed according to building codes before installing the siding over top.

Product Preparation:

Remove the protective film prior to installation. Review panel lengths in reference to the cut sheet. The system is designed to be installed from the bottom up.

Cutting:

Because the underside is flatter, it is recommended that roofing and siding be cut from this side. A power saw, nibbler, snips or profile shear may be used. Be sure to clean metal filings from off the panels to prevent unsightly stains.

Storage Instructions:

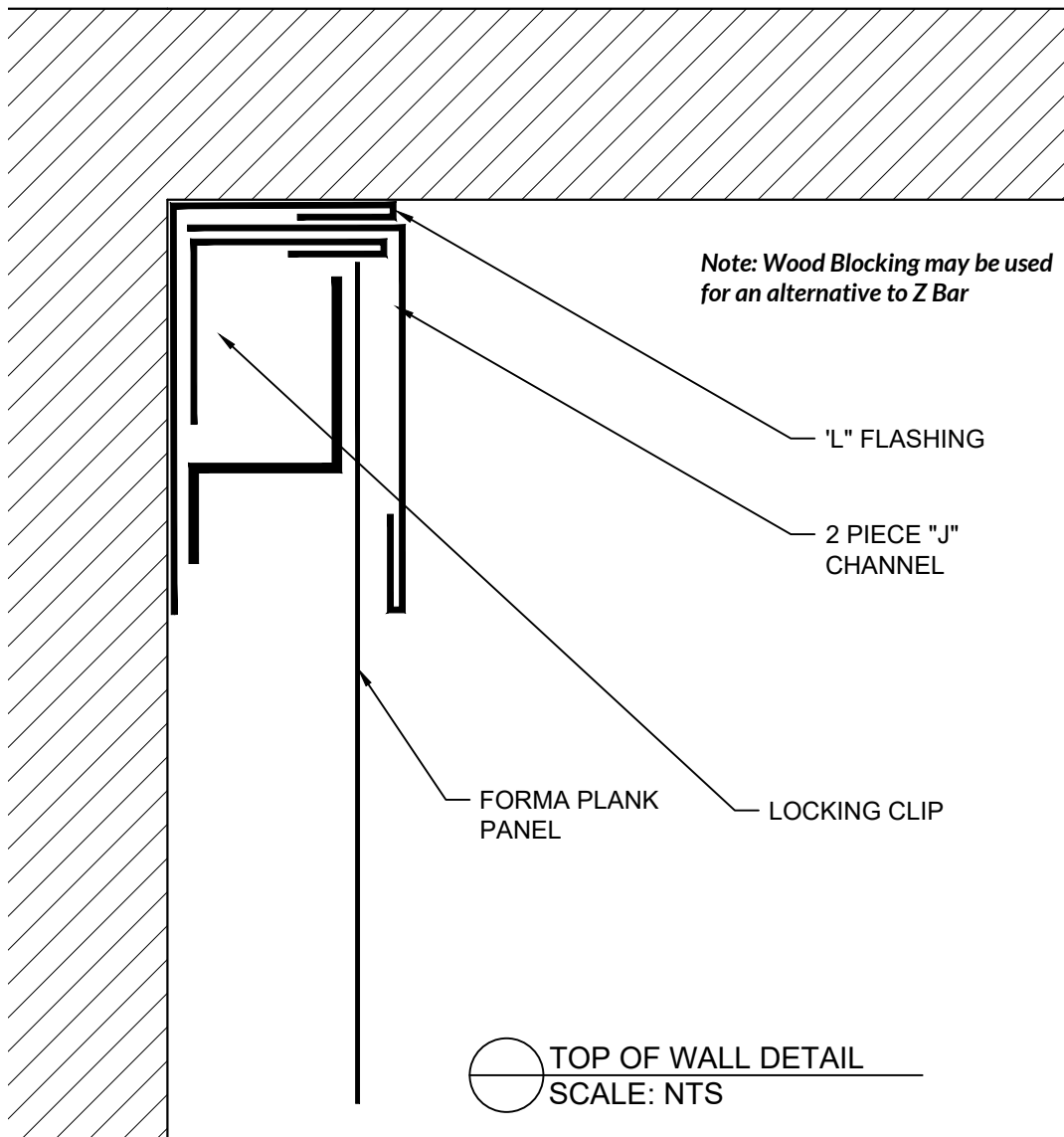
If the panels are not going to be used immediately, they should be stored in a dry well ventilated area. If it is not possible to store the material inside, block up the panels to allow air movement around the packages. Also raise one side of the bundles to ensure positive draining, and use a good quality cover (other than plastic) anchored loosely to protect the material and still allow ventilation. Store away from aggressive substances and any other materials that could contaminate the surface of the panels.

Application Precautions:

Metal installed with screw fasteners should be fastened onto a solid backing. Avoid installing directly over green, damp or ACQ lumber, porous insulation or other damaging materials. The use of a moisture barrier (such as Ice & Water Shield) is recommended in such situations. Strong chemicals, fertilizers, manure, some soils, and lime may cause premature deterioration. Installation near such materials is not recommended.

Warning:

Material is slippery and has sharp edges, use extreme caution when handling or installing. Avoid working with sheet metal products on windy days.



Note: Wood Blocking may be used for an alternative to Z Bar

'L" FLASHING

2 PIECE "J" CHANNEL

FORMA PLANK PANEL

LOCKING CLIP

TOP OF WALL DETAIL
SCALE: NTS

NOTE:
-SUBSTRATE MUST BE LEVEL, PLUMB AND IN PLANE.
-INSTALLATION OF CLIPS MUST NOT INDUCE OUTSIDE FORCES INTO THE PANEL

										APP
										CHK
										DRW
										DSN
										DRAWING STATUS
										DATE (Y/M/D)
										#

NOTES

This is a copyright drawing and shall not be reproduced in any form without written permission from Forma Steel

Contractor to check and verify all the dimensions before construction, any errors and omissions shall be reported immediately

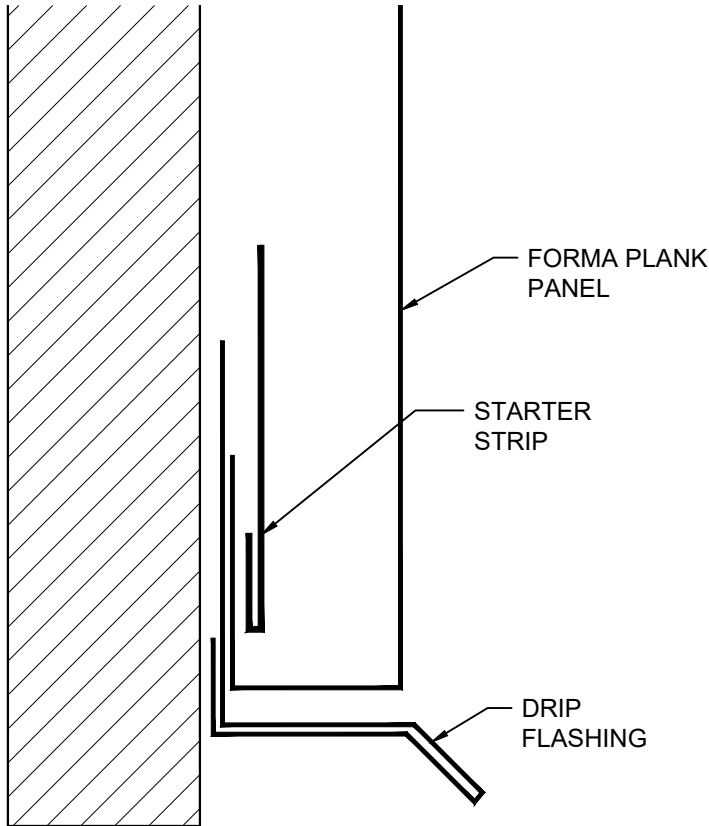
Do not scale the drawing

All construction shall be in accordance with latest codes.

SERIES	FORMA STEEL	DRAWING	TOP OF WALL
	FORMA PLANK		

DATE
11-08-2019

SHEET NUMBER
D1



⊙ BOTTOM OF WALL DETAIL
SCALE: NTS

NOTE:
-SUBSTRATE MUST BE LEVEL, PLUMB AND IN PLANE.
-INSTALLATION OF CLIPS MUST NOT INDUCE OUTSIDE FORCES INTO THE PANEL

										APP
										CHK
										DRW
										DSN
										DRAWING STATUS
										DATE
										(YYYYMMDD)
										#

NOTES

This is a copyright drawing and shall not be reproduced in any form without written permission from Forma Steel

Contractor to check and verify all the dimensions before construction, any errors and omissions shall be reported immediately

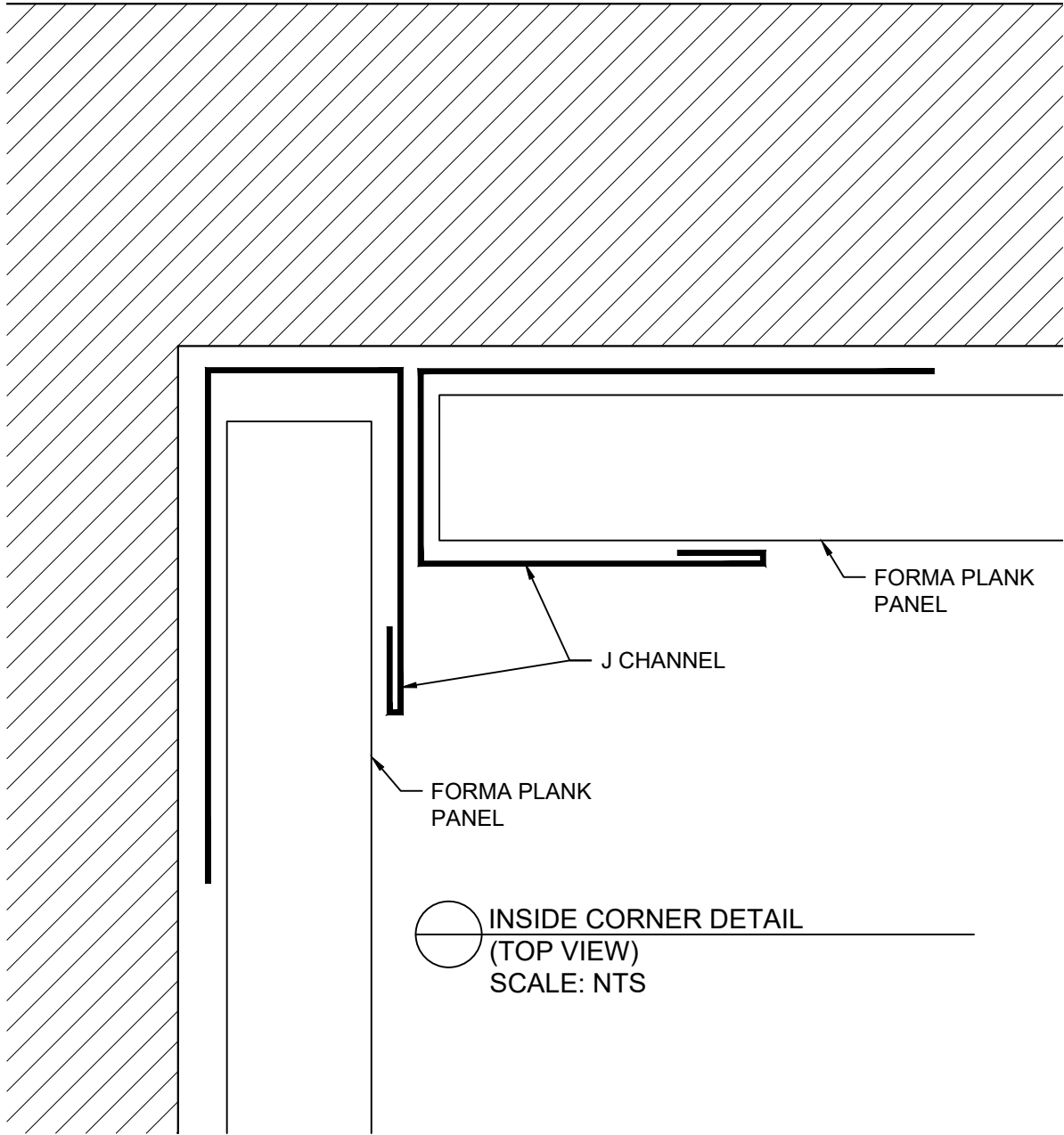
Do not scale the drawing

All construction shall be in accordance with latest codes.

SERIES	FORMA STEEL FORMA PLANK	DRAWING	BASE/DRIP FLASHING
--------	------------------------------------	---------	-------------------------------

DATE
11-08-2019

SHEET NUMBER
D2



NOTE:
 -SUBSTRATE MUST BE LEVEL, PLUMB AND IN PLANE.
 -INSTALLATION OF CLIPS MUST NOT INDUCE OUTSIDE FORCES INTO THE PANEL

										APP
										CHK
										DRW
										DSN
										DRAWING STATUS
										DATE
										(YY/MM/DD)
										#

NOTES

This is a copyright drawing and shall not be reproduced in any form without written permission from Forma Steel

Contractor to check and verify all the dimensions before construction, any errors and omissions shall be reported immediately

Do not scale the drawing

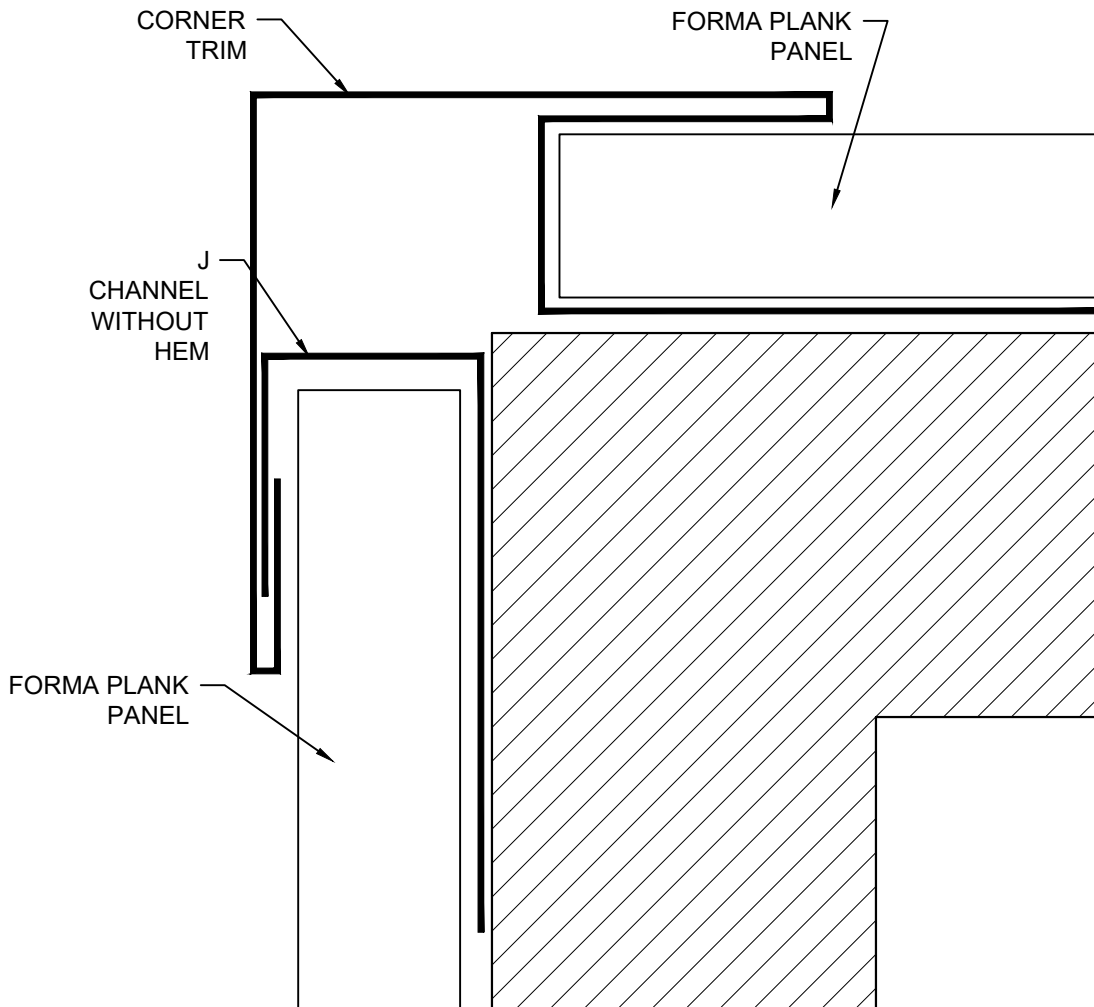
All construction shall be in accordance with latest codes.

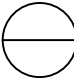
SERIES
**FORMA STEEL
 FORMA PLANK**

DRAWING
INSIDE CORNER

DATE
 11-08-2019

SHEET NUMBER
D3




OUTSIDE CORNER DETAIL
 (TOP VIEW)
 SCALE: NTS

NOTE:
 -SUBSTRATE MUST BE LEVEL, PLUMB
 AND IN PLANE.
 -INSTALLATION OF CLIPS MUST NOT
 INDUCE OUTSIDE FORCES INTO THE
 PANEL

						APP
						CHK
						DRW
						DSN
						DRAWING STATUS
						DATE
						(YYYY/MM/DD)
						#

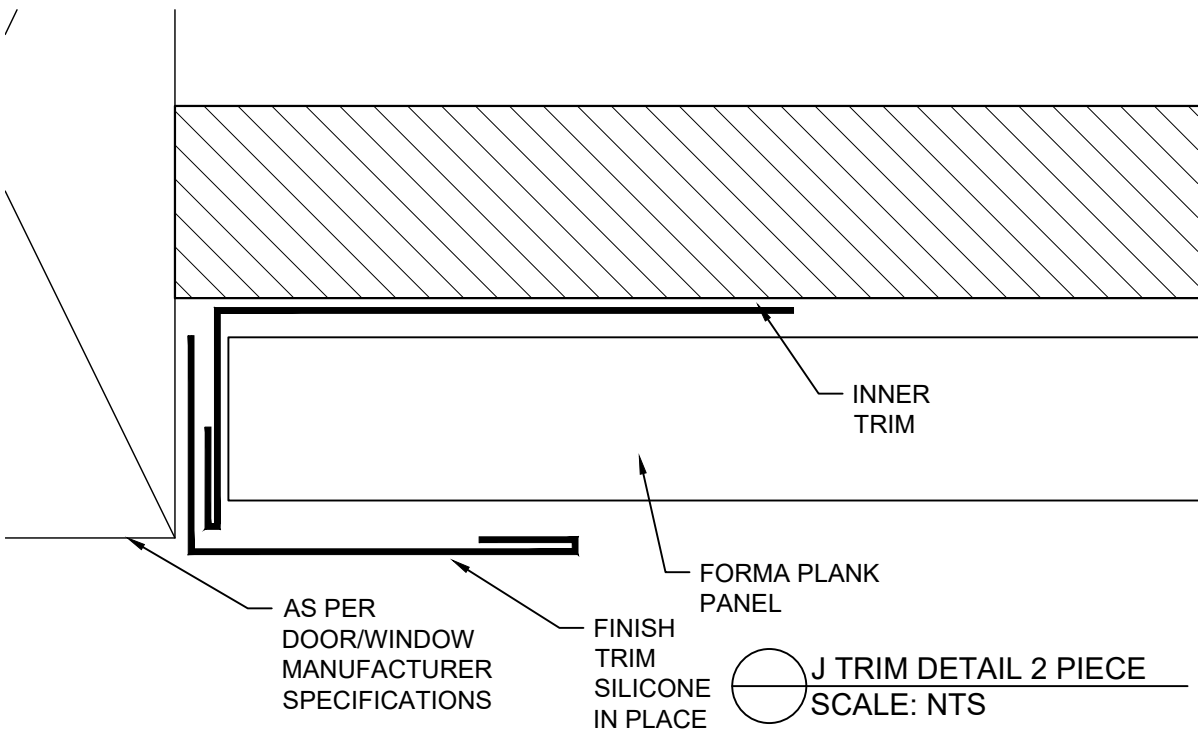
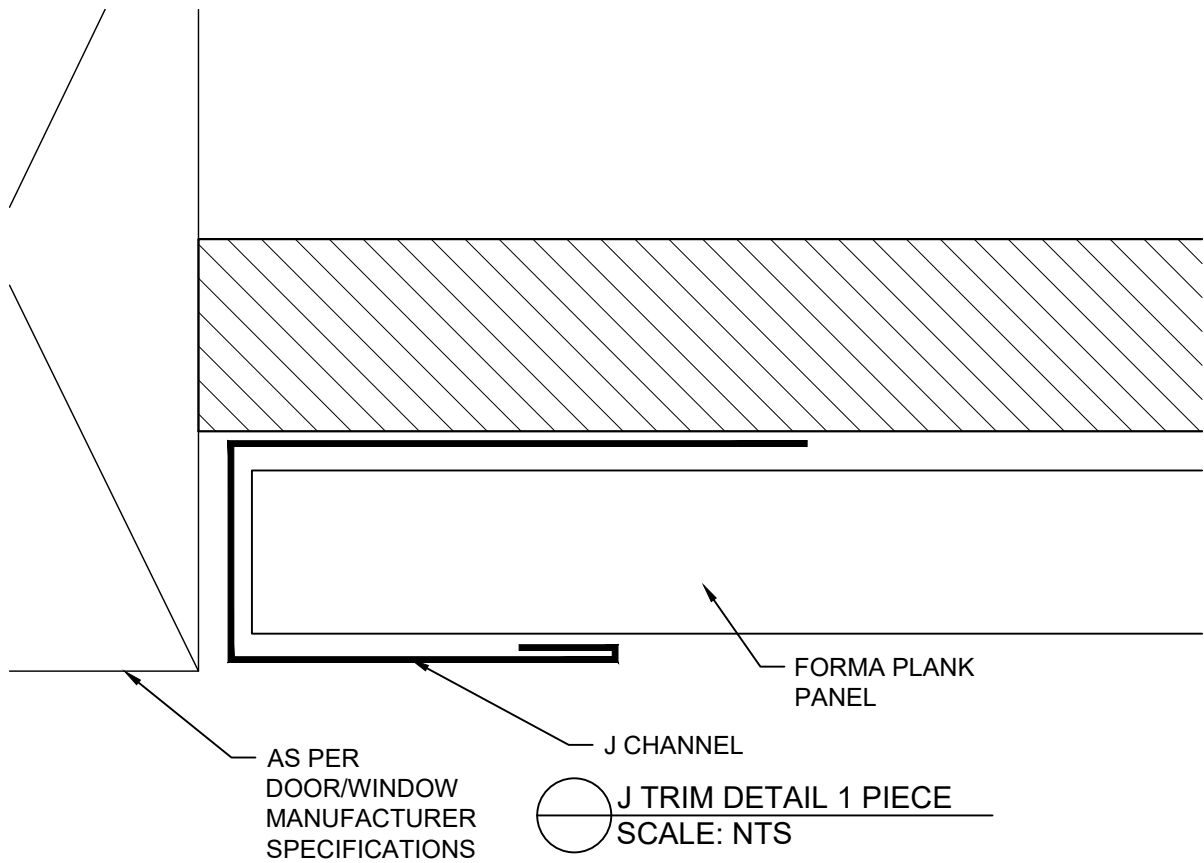
NOTES

This is a copyright drawing and shall not be reproduced in any form without written permission from Forma Steel

Contractor to check and verify all the dimensions before construction, any errors and omissions shall be reported immediately

Do not scale the drawing

All construction shall be in accordance with latest codes.



NOTE:
 -SUBSTRATE MUST BE LEVEL, PLUMB AND IN PLANE.
 -INSTALLATION OF CLIPS MUST NOT INDUCE OUTSIDE FORCES INTO THE PANEL

									APP
									CHK
									DRW
									DSN
									DRAWING STATUS
									DATE (YY/MM/DD)
									#

NOTES

This is a copyright drawing and shall not be reproduced in any form without written permission from Forma Steel

Contractor to check and verify all the dimensions before construction, any errors and omissions shall be reported immediately

Do not scale the drawing

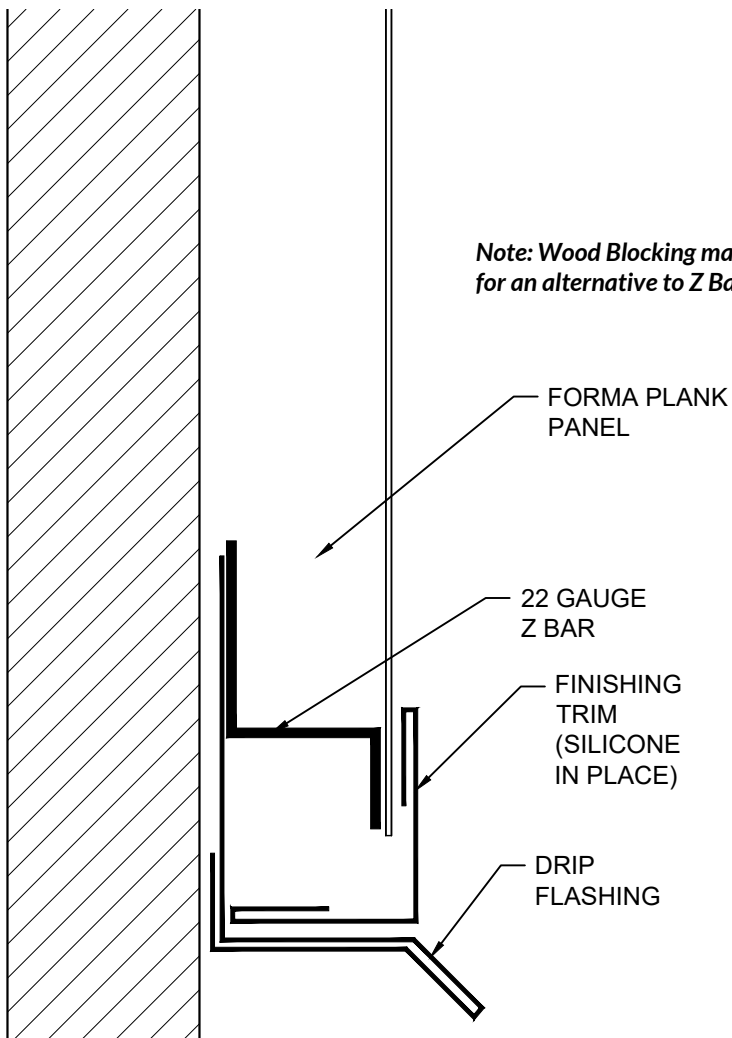
All construction shall be in accordance with latest codes.

SERIES	FORMA STEEL FORMA PLANK	DRAWING	J TRIM
--------	------------------------------------	---------	---------------

DATE
11-08-2019

SHEET NUMBER
D5

Note: Wood Blocking may be used for an alternative to Z Bar



FORMA PLANK PANEL

22 GAUGE Z BAR

FINISHING TRIM (SILICONE IN PLACE)

DRIP FLASHING

AS PER DOOR/WINDOW MANUFACTURER SPECIFICATIONS

⊘ HEADER DETAIL
SCALE: NTS

NOTE:
-SUBSTRATE MUST BE LEVEL, PLUMB AND IN PLANE.
-INSTALLATION OF CLIPS MUST NOT INDUCE OUTSIDE FORCES INTO THE PANEL

								APP
								CHK
								DRW
								DSN
								DRAWING STATUS
								DATE
								(Y/M/A) (DD)
								#

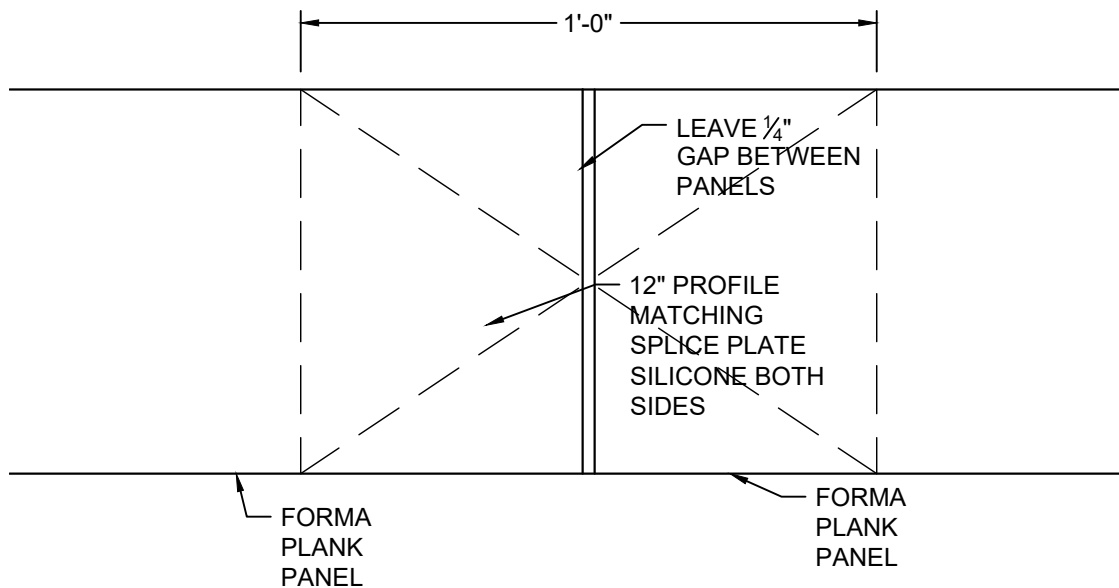
NOTES

This is a copyright drawing and shall not be reproduced in any form without written permission from Forma Steel

Contractor to check and verify all the dimensions before construction, any errors and omissions shall be reported immediately

Do not scale the drawing

All construction shall be in accordance with latest codes.




SPLICE DETAIL
 (ELEVATION VIEW)
 SCALE: NTS

NOTE:
 -SUBSTRATE MUST BE LEVEL, PLUMB AND IN PLANE.
 -INSTALLATION OF CLIPS MUST NOT INDUCE OUTSIDE FORCES INTO THE PANEL

										APP
										CHK
										DRW
										DSN
										DRAWING STATUS
										DATE
										(YY/MM/DD)
										#

NOTES

This is a copyright drawing and shall not be reproduced in any form without written permission from Forma Steel

Contractor to check and verify all the dimensions before construction, any errors and omissions shall be reported immediately

Do not scale the drawing

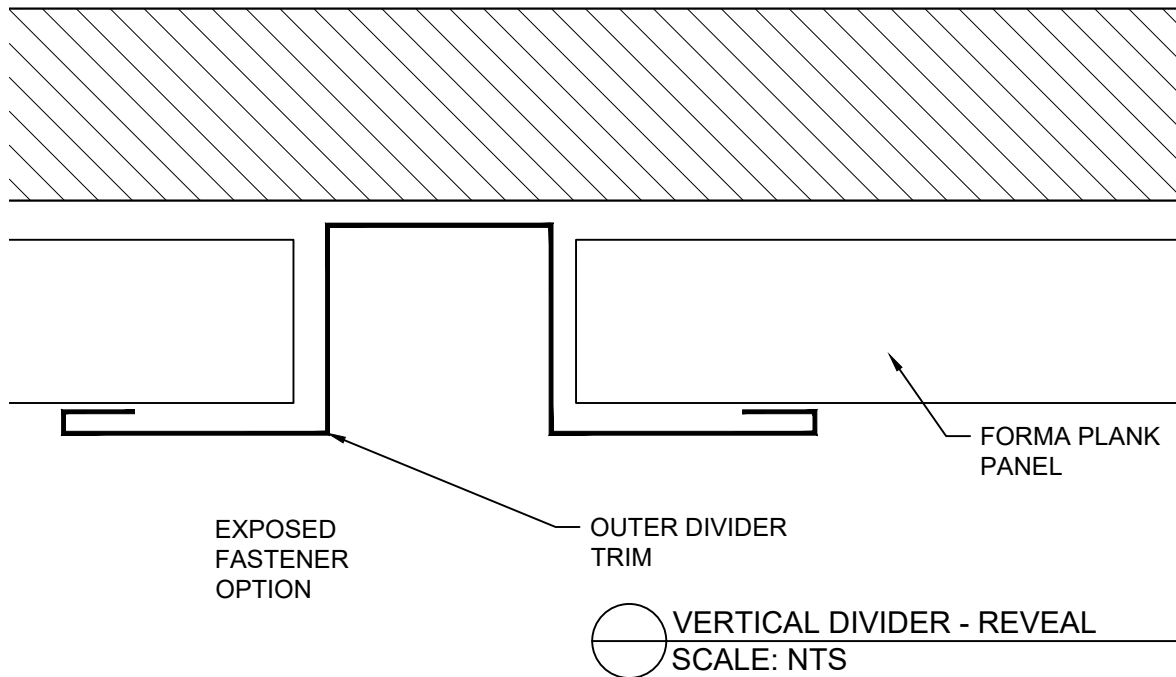
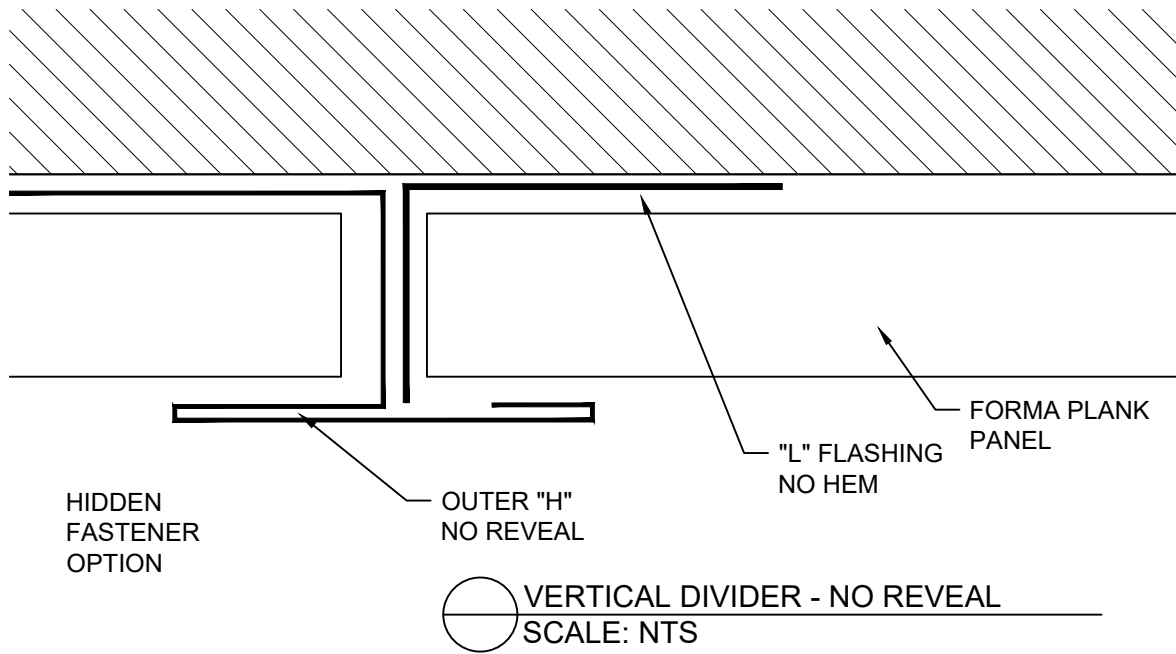
All construction shall be in accordance with latest codes.

SERIES **FORMA STEEL
FORMA PLANK**

DRAWING **SPLICE DETAIL**

DATE 11-08-2019

SHEET NUMBER **D7**



NOTE:
 -SUBSTRATE MUST BE LEVEL, PLUMB AND IN PLANE.
 -INSTALLATION OF CLIPS MUST NOT INDUCE OUTSIDE FORCES INTO THE PANEL

											APP
											CHK
											DRW
											DSN
											DRAWING STATUS
											DATE
											(YY/MM/DD)
											#

NOTES

This is a copyright drawing and shall not be reproduced in any form without written permission from Forma Steel

Contractor to check and verify all the dimensions before construction, any errors and omissions shall be reported immediately

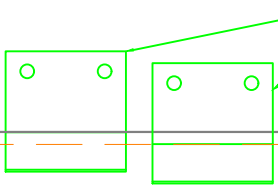
Do not scale the drawing

All construction shall be in accordance with latest codes.

DATE	11-08-2019
SHEET NUMBER	D8



DASHED LINE INDICATES UPPER PANEL



PRIMARY CLIP HOLDING LOWER FORMA PLANK PANEL

SECONDARY CLIP ADDED TO ADJUST TO LEVEL COURSES OF FORMA PLANK UPPER PANEL WILL BE INSTALLED AGAINST THIS CLIP



SOLID LINE INDICATES LOWER PANEL

NOTE:
WHEN INSTALLING ANY PANELS ALIGNMENT TOOLS SHOULD BE USED AND CONFIRMED THROUGHOUT INSTALLATION CHALK LINES, MEASURING AND SPACERS WILL ALLOW PANELS TO BE INSTALLED LEVEL.

ADDITIONAL CLIPS MAY BE INSTALLED LOWER THAN PRIMARY CLIPS TO HELP RE-ALIGN ROWS OF PANELS IF REQUIRED

CLIPS MAY BE REQUIRED TO BE SHIMMED TO ALLOW FOR THE BEST INSTALLATION.

NOTE:
-SUBSTRATE MUST BE LEVEL, PLUMB AND IN PLANE.
-INSTALLATION OF CLIPS MUST NOT INDUCE OUTSIDE FORCES INTO THE PANEL

										APP
										CHK
										DRW
										DSN
										DRAWING STATUS
										DATE
										(YY/MM/DD)
										#

NOTES

This is a copyright drawing and shall not be reproduced in any form without written permission from Forma Steel

Contractor to check and verify all the dimensions before construction, any errors and omissions shall be reported immediately

Do not scale the drawing

All construction shall be in accordance with latest codes.

SERIES	FORMA STEEL FORMA PLANK	DRAWING	LEVELING CLIPS
--------	------------------------------------	---------	-----------------------

DATE
11-08-2019

SHEET NUMBER
D9