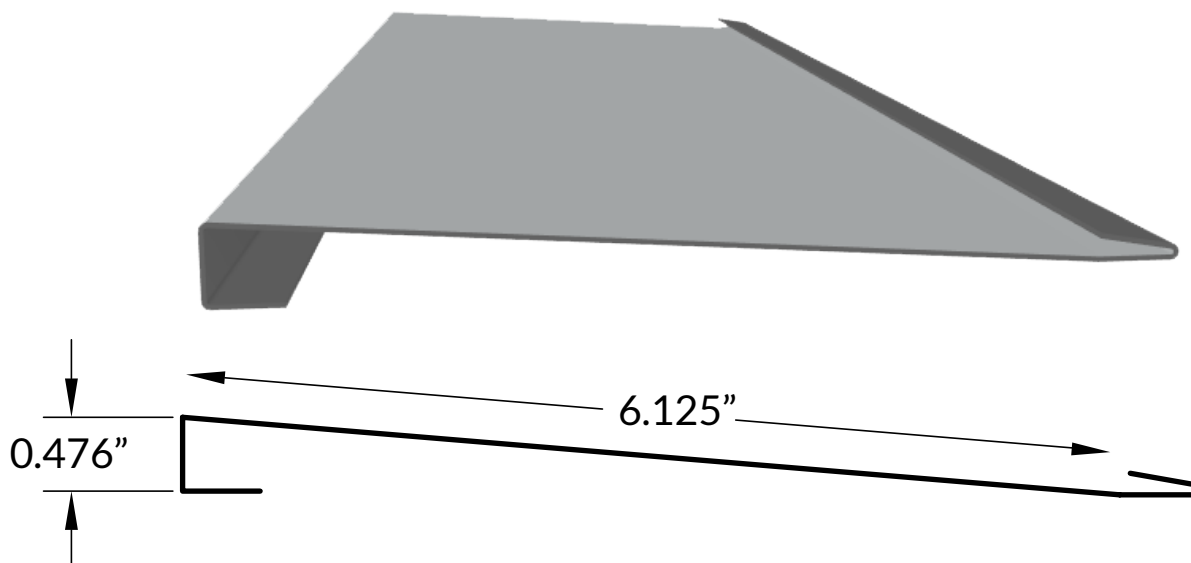




ShipLap

Hidden Fastener Steel Cladding Panel

Shiplap is another upgrade to a traditionally wood-cladding style from Forma Steel. Our steel ShipLap panel is a slanted plank panel, usually installed horizontally, and can be used for both internal and external applications. Easy installation with a clip system, and no exposed fasteners makes this a simple yet stylish cladding option for residential and commercial applications. The panel is available in a 6" coverage, with a depth at the widest part just under 0.5", keeping it flush with most other popular cladding materials. Shiplap pairs well with other Forma Steel cladding options, including 7/8" Corrugated, Forma Plank, and Board & Batten.





ShipLap

Specifications

Wall Coverage: 6.125"

Fasteners: Hidden

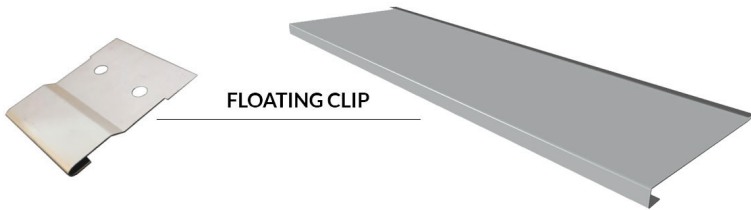
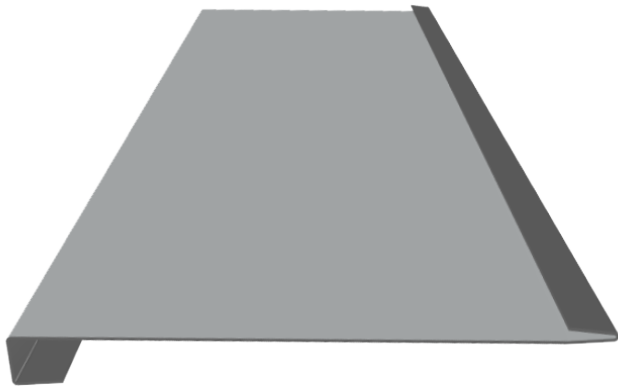
Panel Length: Up to 26'10"

Minimum Length: 62"

Cut Charge on Lengths from 24" to <62"

Available in 24 gauge Standard & Woodgrain Series Colours & 26 gauge Textured Colours

Installed on a floating clip system for ideal thermal expansion and contraction



24 Gauge Colours



Textured 26 Gauge Colours

